

GS 04L41B01-01E

OVERVIEW

The DX1000 is a DAQSTATION that displays real-time measured data on a color LCD and saves data on a CompactFlash memory card (CF card). It can be hooked up to network via Ethernet, which enables to inform by E-mail and to monitor on Web site as well as to transfer files by using FTP. Also, it can communicate with Modbus/RTU or Modbus/TCP.

It comes with a two, four, six-channel or twelve-channel model. As the input signal, a DC voltage, thermocouple, resistance temperature detector, or contact signal can be set to each channel. The data saved on a CF card can be converted by data conversion software to Lotus 1-2-3, Excel, or ASCII format file, facilitating processing on a PC. Not only this, the Viewer software allows a PC to display waveforms on its screen and to print out waveforms.



STANDARD SPECIFICATIONS

General Specifications

Construction

- Mounting: Flush panel mounting (on a vertical plane)
Mounting may be inclined downward up to 30 degrees from a horizontal plane.
- Allowable panel thickness: 2 to 26 mm
- Material: Case: drawn steel
Bezel: polycarbonate
Display filter: polycarbonate
- Case color: Case: Grayish blue green (Munsell 2.0B 5.0/1.7 or equivalent)
Bezel: Charcoal grey light (Munsell 10B 3.6/0.3 or equivalent)
- Front panel: Water and dust-proof* (based on IEC529-IP65 and NEMA No.250 TYPE4 for indoor locations (except external icing test))
*Except for side-by-side mounting.
- Dimensions: 144 (W) × 144 (H) × 224.1 (D) mm
144 (W) × 144 (H) × 228.5 (D)* mm
*In case of /H2 or /PM1 option is specified.
- Weight: approx. 2.9 kg*
*without optional features

Input

- Number of inputs: DX1002: two channels
DX1004: four channels
DX1006: six channels
DX1012: twelve channels
- Measurement interval: DX1002, DX1004: 125 ms, 250 ms, 25 ms (fast sampling mode*)
DX1006, DX1012: 1 s (Not available when A/D integration time is set to 100 ms), 2 s, 5 s, 125 ms (fast sampling mode*)
* A/D integration time is fixed to 1.67 ms in case of fast sampling mode.
- Inputs: DCV (DC voltage), TC (thermocouple), RTD (resistance temperature detector), DI (digital input for event recording), DCA (DC current with external shunt resistor attached)

| Input type | Range | Measuring range | |
|------------|----------------------|---|--------------------|
| DCV | 20 mV | -20.000 to 20.000 mV | |
| | 60 mV | -60.00 to 60.00 mV | |
| | 200 mV | -200.00 to 200.00 mV | |
| | 2 V | -2.0000 to 2.0000 V | |
| | 6 V | -6.000 to 6.000 V | |
| | 1-5V | -0.800 to 5.200 V | |
| | 20 V | -20.000 to 20.000 V | |
| 50 V | -50.00 to 50.00 V | | |
| TC | R ¹ | 0.0 to 1760.0°C | 32 to 3200°F |
| | S ¹ | 0.0 to 1760.0°C | 32 to 3200°F |
| | B ¹ | 0.0 to 1820.0°C | 32 to 3308°F |
| | K ¹ | -200.0 to 1370.0°C | -328 to 2498°F |
| | E ¹ | -200.0 to 800.0°C | -328.0 to 1472.0°F |
| | J ¹ | -200.0 to 1100.0°C | -328.0 to 2012.0°F |
| | T ¹ | -200.0 to 400.0°C | -328.0 to 752.0°F |
| | N ¹ | -270.0 to 1300.0°C | -454 to 2372°F |
| | W ² | 0.0 to 2315.0°C | 32 to 4199°F |
| | L ³ | -200.0 to 900.0°C | -328.0 to 1652.0°F |
| | U ³ | -200.0 to 400.0°C | -328.0 to 752.0°F |
| | WR ^{e4} | 0.0 to 2400.0°C | 32 to 4352°F |
| RTD | Pt100 ^{*5} | -200.0 to 600.0°C | -328.0 to 1112.0°F |
| | JPt100 ^{*5} | -200.0 to 550.0°C | -328.0 to 1022.0°F |
| DI | DCV input (TTL) | OFF : less than 2.4 V ON : more than 2.4 V | |
| | Contact input | Contact ON/OFF | |

*1 R, S, B, K, E, J, T, N: IEC584-1 (1995), DIN IEC584, JIS C 1602-1995
 *2 W: W-5% Re/W-26% Re (Hoskins Mfg. Co.), ASTM E988
 *3 L: Fe-CuNi, DIN43710, U: Cu-CuNi, DIN43710
 *4 WR^e: W-3%Re/W-25%Re (Hoskins Mfg. Co.)
 *5 Pt100: JIS C 1604-1997, IEC 751-1995, DIN IEC751-1996
 JPt100: JIS C 1604-1989, JIS C 1606-1989
 Measuring current: i = 1mA

A/D integration time:

20 ms (50 Hz), 16.7 ms (60 Hz), 100ms (50/60Hz for DX1006/1012), or AUTO selectable (automatic selection by detection of power supply frequency)
 A/D integration time is fixed to 1.67 ms (600Hz) in case of fast sampling mode.

Thermocouple burnout:

Burnout upscale/downscale function can be switched on/off (for each channel).
 Burnout upscale/downscale selectable
 Normal: Less than 2 kΩ, Burn out: More than 100 kΩ
 Detection current: approx. 10 μA

1-5V range burnout:

Burnout upscale/downscale function can be switched on/off (for each channel).
 Burnout upscale/downscale selectable
 Upscale burnout: More than +10% of configured span
 Downscale burnout: Less than -5% of configured span

Moving average:

Moving average on/off selectable for each channel
 Moving average cycles 2 to 400 selectable

Calculation:

Differential computation:
 Between any two channels
 Available for DCV, TC, RTD and DI ranges.

Linear scaling:

Available for DCV, TC, RTD and DI ranges.
 Scaling limits: -30000 to 30000
 Decimal point: user-selectable
 Engineering unit: user-definable, up to 6 characters
 Over value: Exceeds ± 5% of scaling limits (on/off selectable)

Square root:

Available for DCV range.
 Scaling limits: -30000 to 30000
 Decimal point: user-selectable
 Engineering unit : user-definable, up to 6 characters
 Low level cut off: 0.0 to 5.0% of display span
 Over value: Exceeds ± 5% of scaling limits (on/off selectable)

1-5VDC scaling:

Available for 1-5VDC range.
 Scaling limits: -30000 to 30000
 Display span limit: 0.800 to 5.200
 Decimal point: user-selectable
 Engineering unit : user-definable, up to 6 characters
 Low level cut off: Fixed to lower span limit
 Over value: Exceeds ± 5% of scaling limits (on/off selectable)

Display

Display unit:

5.5-inch TFT color LCD (VGA, 320 x 240 pixels)

Note) In the part of crystal display, there are some pixels that can't always turn on or off. Please understand that the brightness of screen looks uneven because of characteristics of crystal display, but it is not out of order.

Display group:

Each measurement channel and computation channel can be assigned to display group of the trend, digital and bargraph display.

Number of display: 10 groups
 Number of assignable channels for one group: 6 channels

Display color:

Trend/Bargraph:
 Selectable from 24 colors

Background:
 White or black selectable

Trend display:

Trend display type:
 Vertical, horizontal, landscape, horizontal or split selectable

Number of indication channels:
 6 channels per display (maximum)

Number of display:
 10 displays (10 groups)

Line width:
 1, 2, and 3 pixels selectable

Scales:
 Maximum 6 scales.
 Bargraph, green band area and alarm mark can be displayed on scale display.
 Number of divisions: Selectable from 4 to 12 or C10 (10 divisions by main scale mark and scale values are displayed on 0, 30, 50, 70 and 100% position).

| | |
|---|--|
| Waveform span rate: | 32 characters maximum |
| 5, 10, 15, 30, sec., 1, 2, 5, 10, 15, 20, 30 min., 1, 2, 4, 10 hours/div selectable (5, 10 sec/div is available for only DX1002 and DX1004) | Number of messages: 100 messages (including 10 free messages) |
| Bargraph display: | Message adding function: Message can be added on historical display. |
| Direction: Vertical or horizontal selectable | Other display contents: |
| Number of indication channels: 6 channels per display | Status display area: Date & time (year/month/day, hour:minute:second), batch name (batch number + lot number), login user name, display name, internal memory status, status indication icon |
| Number of display: 10 displays (10 groups) | Trend display area: Grid lines (number of divisions selectable from 4 to 12), hour : minutes on grid, trip levels (line widths are selectable from 1, 2 and 3 pixels) |
| Scales: Green band area and alarm mark can be displayed on scale display. | Data referencing function: Display the retrieved data (display data or event data) from internal or external memory. |
| Number of divisions: Selectable from 4 to 12 | Display format: Whole display or divided to 2 areas |
| Reference position: Left, right or center | Time axis operation: Display magnification or reduction, scroll by key operation |
| Display renewal rate: 1 s | Data searching operation: Display the retrieved data from internal memory by specifying date and time. |
| Digital indication: | Display auto scroll function: Display group of monitor display (trend display, bargraph display and digital display) automatically changes in a preset interval (5, 10, 20, 30 s and 1 min). |
| Number of indication channels: 6 channels per display | LCD saver function: The LCD backlight automatically dims or off (selectable) if no key is touched for a certain preset time (can be set from 1, 2, 5, 10, 30, and 60 min). |
| Number of display: 10 displays (10 groups) | Display register function: Up to 8 display types can be registered with display name. |
| Display renewal rate: 1 s | Display auto return function: The display type automatically returns to registered display type if no key is touched for a certain preset time (can be set from 1, 2, 5, 10, 20, 30 and 60 min) |
| Overview display: | Temperature unit: °C or °F selectable |
| Number of indication channels: Measuring values and alarm status of all channels | Custom display function: Display can be customized by lay outing display parts. Display data is saved in internal memory or external medium. |
| Information display: | Number of customized display: 28 displays maximum (3 in internal memory and 25 in external medium) |
| Alarm summary display: Display the list of latest 1000 alarms summary. Jump to historical trend display by cursor pointing. | Display part: - General parts (digital, bar, label, tag number, tag comment,) - Scale parts - Trend parts - List parts (alarm list, message list) - Figure parts (line, rectangle, circle) |
| Message summary display: Display the list of latest 450 messages and time. Jump to historical trend display by cursor pointing. | Edit function: Select parts, grid, edit parts (move, resize, property, copy, paste, layout order change, dependency of visual property), |
| Memory information: Display the file list in internal memory. Jump to historical trend display by cursor pointing. | |
| Report information: Display the report data in internal memory. | |
| Modbus status: Display the Modbus status. | |
| Relay status: Display the on/off status of internal switch and relay output. | |
| Stacked bar graph display: Display the periodic sums of report data. | |
| Event switch status: Display the event switch status. | |
| Log display: | |
| Log display types: Login log, error log, communication log, FTP log, Web log, E-mail log, SNTP log, DHCP log, Modbus log | |
| Tags: | |
| Display the tag number and tag comment. | |
| Tag number: Number of characters: 16 characters maximum | |
| Tag comment: Number of characters: 32 characters maximum | |
| Messages: | |
| Number of characters: | |

group control, delete, save display

Custom display data:
 Contents: Display contents data (for each display)
 Format: Text
 Output: External medium

Custom display data save/load:
 Each or all custom display data file can be saved in specified directory.
 Custom display data can be loaded from specified directory.

Data Saving Function

External storage medium:
 Medium: CompactFlash memory card (CF card)
 Format: FAT16 or FAT32

Internal memory:
 Medium: Flash memory
 Capacity: Selectable from 80MB or 200MB
 Maximum number of files can be saved: 400 files (total number of display data file and event data file)

Manual saving:
 Data files in internal memory can be saved manually. Selectable form all data saving or selected data saving.
 Drive: CF card or USB flash drive (only for USB option)

Automatic saving:
 Display data:
 Periodic saving to CF card

Event data:
 In case of trigger free...Periodic saving to CF card
 In case of using trigger...Save the data when sampling is finished

Media FIFO function :
 Allows the oldest file to be deleted and the newest file to be saved if the free space on the CF card is insufficient (on/off selectable).

Data Saving Period:
 Display data file:
 Linked with the waveform span rate

Event file: Linked with the specified sampling period

Event File Sampling Period:
 DX1002, DX1004:
 Selectable from 25, 125, 250, 500 ms, and 1, 2, 5, 10, 30, 60, 120, 300, 600, 900, 1200 and 1800 s*

DX1006, DX1012:
 Selectable from 125, 250, 500 ms, and 1, 2, 5, 10, 30, 60, 120, 300, 600, 900, 1200 and 1800 s*

*Sampling period faster than measurement interval can not be selected.

Measurement data File:

The following two file types can be created.
 Event file (stores instantaneous values sampled periodically at a specified sampling rate)
 Display data file (stores the maximum and minimum values for each waveform span rate from among measured data sampled at measurement intervals)

Files can be created in the following combinations.

- (a) Event file + display data file
- (b) Display data file only
- (c) Event file only

Data format: YOKOGAWA private format (Binary)

Maximum data size per file:
8,000,000 byte (8MB)

Data per channel:

Display data file:
 Measurement data.....4 byte/data
 Mathematical data.....8 byte/data

Event data file:
 Measurement data.....2 byte/data
 Mathematical data.....4 byte/data

Sampling time:

The sampling time per file (8MB) during manual data saving can be determined by the formula "number of data items per channel x interval of data saving."

This logic is explained in more detail below:

- 1) When handling display data files only
 If we assume that the number of measuring channels is 12, the number of computing channels is 24, and the display update interval is 30 min/div (60 sec waveform span rate), then:

$$\text{Number of data items per channel} = 8,000,000 \text{ bytes} / (8 \text{ bytes}(\text{time stamp}) + 12 \times 4 \text{ bytes} + 24 \times 8 \text{ bytes}) = 32,258 \text{ data items}$$

$$\text{Sampling time per file} = 32,258 \times 60 \text{ sec} = 1,935,480 \text{ sec} = \text{approx. } 22 \text{ days}$$
- 2) When handling event files only
 If we assume that the number of measuring channels is 12, the number of computing channels is 24, and the data saving interval is 1 sec, then :

$$\text{Number of data items per channel} = 8,000,000 \text{ bytes} / (8 \text{ bytes}(\text{time stamp}) + 12 \times 2 \text{ bytes} + 24 \times 4 \text{ bytes}) = 62,500 \text{ data items}$$

$$\text{Sampling time per file} = 62,500 \times 1 \text{ sec} = 62,500 \text{ sec} = \text{approx. } 17 \text{ hours}$$
- 3) When handling both display data files and event files
 The sampling time is calculated by defining the size of data items in a display data file as 8,000,000 bytes and the size of data items in an event data file as 8,000,000 bytes. The method of calculation is the same as shown above.

Examples of Sampling Time for 1 file (8MB)*:

*If sampling time exceeds 31 days, data file is divided.

In case measurement ch = 4 ch, mathematical ch = 0 ch

Display data file (approx.)

| | | | | | | |
|--------------------------------------|--------|--------|--------|---------|---------|---------|
| Waveform span rate (time/div) | 15 s | 30 s | 1 min | 2 min | 5 min | 10 min |
| Data saving period | 0.5 s | 1 s | 2 s | 4 s | 10 s | 20 s |
| Sampling time | 46.3 h | 3 days | 7 days | 15 days | 38 days | 77 days |

Event data file (approx.)

| | | | | | | | |
|---------------------------|-------|--------|--------|--------|---------|---------|---------|
| Data saving period | 25 ms | 125 ms | 0.5 s | 1 s | 2 s | 5 s | 10 s |
| Sampling time | 3.5 h | 17.4 h | 2 days | 5 days | 11 days | 28 days | 57 days |

In case measurement ch = 12 ch, mathematical ch = 24 ch

Display data file (approx.)

| | | | | | | | |
|--------------------------------------|------|--------|--------|--------|---------|---------|---------|
| Waveform span rate (time/div) | 15 s | 1 min | 5 min | 10 min | 20 min | 30 min | 1 h |
| Data saving period | NA | 2 s | 10 s | 20 s | 40 s | 1 min | 2 min |
| Sampling time | NA | 17.9 h | 3 days | 7 days | 14 days | 22 days | 44 days |

Event data file (approx.)

| | | | | | | | |
|---------------------------|-------|--------|-------|--------|----------|---------|---------|
| Data saving period | 25 ms | 125 ms | 0.5 s | 1 s | 10 s | 30 s | 1 min |
| Sampling time | NA | 2.2 h | 8.7 h | 17.4 h | 7.2 days | 21 days | 43 days |

Manual sample data:

The measuring and computing data can be saved manually to the internal memory and CF card.

Trigger: Key operation, communication command or event action function

Data format:

Text

Max. number of data:

400 data (if exceeds 400 data, oldest data is overwritten)

Report data (only for MATH option):

Types: Hourly, daily, hourly + daily, daily + weekly, and daily + monthly

Data format:

Text

Drive: CF card

Trigger function:

Selectable from FREE or TRIG for event data saving.

Trigger mode:

Selectable from free, single or repeat trigger

Data length:

Selectable from 10, 20, 30 min, 1, 2, 3, 4, 6, 8, 12 hour, 1, 2, 3, 5, 7, 10, 14, 31 day

Pre trigger: Selectable from 0, 5, 25, 50, 75, 95, 100%

Trigger source:

Key operation, communication command or event action function

Display hard copy:

Trigger: Key operation, communication command or event action function

Data format:

png format

Drive/output:

CF card or communication interface

Data file retrieving function:

Data file in CF card or USB flash drive (only for USB option) can be retrieved and displayed.

Retrieved data file:

Display data file or event data file

Saving and retrieving of configuration data:

Configuration information can be saved and retrieved as text data.

Drive: CF card or USB flash drive (only for USB option)

Alarm Function

Number of alarm levels:

Up to four levels for each channel

Alarm types:

High and low limits, differential high and low limits, high and low rate-of-change limits and delay high and low

Alarm delay time:

1 to 3600 s

Interval time of rate-of-change alarms:

The measurement interval times 1 to 32

Display:

The alarm status (type) is displayed in the digital value display area upon occurrence of an alarm. A common alarm indication is also displayed.

Alarm display color and display order can be changed by configured importance level and color.

Alarming behavior:

non-hold or hold-type can be selectable for common to all channels.

Hysteresis: On/off selectable (common to measurement channels, mathematical channels or external channels)

0.0 to 5.0% of display span (or scaling span)

Outputs:

Output: Internal switch or relay output (optional)

Number of internal switch:

30 points

Internal switch action:

AND/OR

Number of relay output points:

2, 4 or 6 points (optional)

Relay action:

Energized/deenergized, hold/non-hold, AND/OR, alarm reflash selectable.

Alarm no logging function:

When alarm occurs, only internal switch or relay output is activated. There are no alarm display on screen and no record on alarm summary.

On/off selectable for each channel and alarm level.

Memory:

The times of alarm occurrences/recoveries, alarm

types, etc. are stored in the memory.
 Up to 1000 latest alarm events are stored.
 Alarm annunciator function:
 Alarm display and relay output based on alarm sequence.
 Alarm sequence: 3 types (ISA-A-4, ISA-A, ISA-M)
 First out display function: Not available

Event action function

General: Particular action can be executed by particular event.
 Number of event action:
 40 actions can be set
 Event list:

| Event | Level/Edge | Description |
|-----------------|------------|---|
| Remote | Level/Edge | Action by remote control signal |
| Relay | Level/Edge | Action by relay operation |
| Internal switch | Level/Edge | Action by internal switch operation |
| Alarm | Level/Edge | Action by any alarm |
| Timer | Edge | Action by timer time up |
| Match time | Edge | Action by time up of match time timer |
| USER key | Edge | Action by USER key operation |
| Event switch | Level/Edge | Action by custom display, FUNC display or communication command |

Action list:

| Action | Level/Edge | Description |
|---------------------------|------------|--|
| Memory start/stop | Level | Memory start and stop |
| Memory start | Edge | Memory start |
| Memory stop | Edge | Memory stop |
| Event trigger | Edge | Event data sampling start |
| Alarm ACK | Edge | Alarm ACK |
| Math start/stop | Level | Computation start and stop |
| Math start | Edge | Computation start |
| Math stop | Edge | Computation stop |
| Math reset | Edge | Computation reset |
| Manual sample | Edge | Manual sample |
| Snapshot | Edge | Save display image to external media |
| Message input | Edge | Message writing |
| Waveform span rate change | Level | Change waveform span rate |
| Display data save | Edge | Save currently sampled display data to internal memory as a file |
| Event data save | Edge | Save currently sampled event data to internal memory as a file |
| Relative time timer reset | Edge | Reset relative time timer |
| Display group change | Edge | Change to specified display group |
| Time adjustment | Edge | Adjust internal clock to the nearest hour |
| Flag | Level | Normal: "0", Event: "1" |
| Setting file load | Edge | Load setting file from CF card (up to 3 setting files). |
| Alarm display reset | Edge | Reset alarm display |
| Comment display | Edge | Display comment |
| Favorite display | Edge | Display registered favorite screen |

Security functions

General: Login function or key lock function can be set for each key operation or communication operation.
 Key lock function:
 On/off and password can be set for each operation key and FUNC operation.
 Login function:
 User name and password to login can be set.
 User level and number of users:
 System administrator: 5 users
 General users: 30 users
 10 kinds of login mode can be set for general users.

Clock

Clock: With calendar function (year of grace)
 Clock accuracy:
 ± 10 ppm, excluding a delay (of 1 second, maximum) caused each time the power is turned on.
 Time setting method:
 Key operation, communication command, event action function or SNTP client function
 Time adjustment method:
 During memory sample:
 Adjust 40 ms per second (No influence for measurement period)
 During memory stop:
 Adjust at a time
 Time zone:
 Time difference from GMT:
 Settable from -1300 to 1300
 Date display format:
 Selectable from YYYY/MM/DD, MM/DD/YYYY, DD/MM/YYYY or DD.MM.YYYY
 DST function (summer/winter time):
 The time at which the daylight savings time adjustment is automatically calculated and configured.

Communication Functions

Electrical specifications:
 Confirms to IEEE802.3 (DIX specification for Ethernet frames)
 Connection:
 Ethernet (10BASE-T)
 Protocols: TCP, UDP, IP, ICMP, ARP, DHCP, HTTP, FTP, SMTP, SNTP, Modbus, DX private
 E-mail inform function:
 E-mail is sent by events as below.
 - Alarm occurring/alarm canceling
 - Recover from power failure
 - Memory end
 - Storage medium error, FTP client function error
 - Specified time period
 - Report data time up (only for mathematical option)
 POP before SMTP is available.
 FTP client function:
 Data file auto-transfer from DX
 Transferred data file:
 Display data file, event data file, report data file and display image file
 FTP server function:
 File transfer from DX, file elimination, directory operation and file list output are available by request from host computer.
 Web server function:
 Display image of DX and alarm information can be displayed on web browser.
 Display the data searching display and report data of DX on web browser.
 SNTP client function:
 The time on DX can be synchronized to the time of a SNTP server.
 SNTP server function:
 The DX can operate as a SNTP server.
 DHCP client function:
 Network address configuration can be obtained automatically from DHCP server.
 Obtained information:
 IP address, subnet mask, default gateway

and DNS information

Modbus client function:
 Reading or writing of measurement data on other instruments are available by Modbus protocol.
 Mathematical option is required to read the data from other instruments.

Modbus server function:
 Output of measurement data from DX is available by Modbus protocol.
 Control operation such as message or batch name writing is available.
 Access control from Modbus client to register is available by IP filtering function.

Setting/measurement server function:
 Operation, setting or output of measurement data are available by DX private protocol.

Maintenance/test server function:
 Output connection information or network information of the Ethernet communication.

Instrument information server function:
 Output instrument information such as serial number or model name of DX.

EtherNet/IP server function:
 - Reading of measurement data or mathematical channel data
 - Reading or writing of external channel data
 - Reading or writing of communication input channel

Batch function

General: Data display and data management with batch name, text field function and batch comment function are available.

Batch name:
 Batch name can be used as file name of display data, event data and report data.
 Batch name format:
 Batch number (max. 32 characters) + lot number (max. 8 characters)
 Use/not use selectable for lot number, on/off selectable for auto increment function

Text field function:
 Field number:
 1 to 24
 Field title:
 Max. 20 characters
 Field text:
 Max. 30 characters

Batch comment function:
 Batch comment is added to display data and event data.
 Batch comment information:
 3 comments (max. 50 characters) are available.

Power Supply

Rated power supply:
 100 to 240 VAC (automatic switching)

Allowable power supply voltage range:
 90 to 132 or 180 to 264 VAC

Rated power supply frequency:
 50/60 Hz (automatic switching)

Power consumption:

| Supply voltage | LCD off | Normal | Max. |
|----------------|---------|--------|-------|
| 100 VAC | 15 VA | 24 VA | 45 VA |
| 240 VAC | 25 VA | 32 VA | 60 VA |

Allowable interruption time:

Less than 1 cycle of power supply frequency

Other Specifications

Memory backup :
 A built-in lithium battery backs up the setup parameters (battery life : approximately 10 years at room temperature).

Insulation resistance:
 Each terminal to ground terminal:
 20 MΩ or greater (at 500 VDC)

Dielectric strength:
 Power supply to ground terminal:
 2300 VAC (50/60 Hz), 1 min
 Contact output terminal to ground terminal:
 1600 VAC (50/60 Hz), 1 min
 Measuring input terminal to ground terminal:
 1500 VAC (50/60 Hz), 1 min
 Between measuring input terminals:
 1000 VAC (50/60 Hz), 1 min (except for b-terminal of RTD input of DX1006 and DX1012)
 Between remote control terminal to ground terminal:
 1000 VDC, 1 min

Safety and EMC Standards

CSA: CSA22.2 No61010-1
 Installation category II¹, pollution degree 2²

UL: UL61010-1 (CSA NRTL/C)

CE:
 EMC directive:
 EN61326-1 compliant, Class A Table 2
 EN61000-3-2 compliant
 EN61000-3-3 compliant
 EN55011 compliant, Class A Group 1

Low voltage directive:
 EN61010-1 compliant, measurement category II³, pollution degree 2²

C-Tick: EN55011 compliant, Class A Group 1

*1: Installation Category (Overvoltage Category) II
 Describes a number which defines a transient overvoltage condition. It implies the regulation for impulse withstand voltage. "II" applies to electrical equipment which is supplied from fixed installations like distribution boards.

*2: Pollution Degree
 Describes the degree to which a solid, liquid, or gas which deteriorates dielectric strength or surface resistivity is adhering. "2" applies to normal indoor atmosphere. Normally, only non-conductive pollution occurs.

*3: Measurement Category II
 Applies to measuring circuits connected to low voltage installation, and electrical instruments supplied with power from fixed equipment such as electric switchboards.

Normal Operating Conditions

Power voltage:
 90 to 132 or 180 to 250 VAC

Power supply frequency:
 50 Hz ±2%, 60 Hz ±2%

Ambient temperature:
 0 to 50 °C

Ambient humidity:
 20% to 80% RH (at 5 to 40 °C)

Vibration: 10 to 60 Hz, 0.2 m/s² or less

Shock: Not acceptable

| | |
|--|--|
| Magnetic field: | 250 Vrms AC or less for all ranges |
| 400 AT/m or less (DC and 50/60 Hz) | Maximum noise voltage between channels (50/60 Hz): |
| Noise: | 250 Vrms AC or less |
| Normal mode (50/60 Hz): | Mounting position: |
| DCV: The peak value including the signal must be less than 1.2 times the measuring range. | Can be inclined up to 30 deg backward. Mounting at an angle away from the perpendicular is not acceptable. |
| TC: The peak value including the signal must be less than 1.2 times the measuring thermal electromotive force. | Warm-up time: |
| RTD: 50 mV or less | At least 30 min after power on |
| Common mode noise voltage (50/60 Hz): | Installation location: |
| | In-room |
| | Altitude: Less than 2000 m |

Standard Performance

Measuring and Recording Accuracy:

The following specifications apply to operation of the recorder under standard operation conditions.

Temperature:

23 ± 2 °C

Humidity:

55% ± 10% RH

Power supply voltage:

90 to 132 or 180 to 250 VAC

Power supply frequency:

50/60 Hz ± 1%

Warm-up time:

At least 30 min.

Other ambient conditions such as vibration should not adversely affect recorder operation.

| Input | Range | Measurement accuracy (digital display) | | Max. resolution of digital display |
|--------------------------------|--|--|--|------------------------------------|
| | | A/D integration time: 16.7ms or more | A/D integration time: 1.67ms (fast sampling mode) | |
| DCV | 20 mV | ±(0.05% of rdg + 12 digits) | ±(0.1% of rdg + 40 digits) | 1 μV |
| | 60 mV | ±(0.05% of rdg + 3 digits) | ±(0.1% of rdg + 15 digits) | 10 μV |
| | 200 mV | | | 10 μV |
| | 2 V | | | 100 μV |
| | 6 V | ±(0.05% of rdg + 3 digits) | ±(0.1% of rdg + 15 digits) | 1 mV |
| | 1.5 V | | | 1 mV |
| | 20 V | | | 1 mV |
| 50 V | 10 mV | | | |
| TC (Excluding RJC accuracy) | R | ±(0.15% of rdg + 1°C) However, R, S: | ±(0.2% of rdg + 4°C) However, R, S: | 0.1°C |
| | S | ±3.7°C at 0 to 100°C ±1.5°C at 100 to 300°C B: | ±10°C at 0 to 100°C ±5°C at 100 to 300°C B: | |
| | B | ±2°C at 400 to 600°C Accuracy at less than 400°C is not guaranteed. | ±7°C at 400 to 600°C Accuracy at less than 400°C is not guaranteed. | |
| | K | ±(0.15% of rdg + 0.7°C) However, ±(0.15% of rdg + 1°C) at -200 to -100°C | ±(0.2% of rdg + 3.5°C) However, ±(0.15% of rdg + 6°C) at -200 to -100°C | |
| | E | ±(0.15% of rdg + 0.5°C) However, ±(0.15% of rdg + 0.7°C) at -200 to -100°C | ±(0.2% of rdg + 2.5°C) However, ±(0.2% of rdg + 5°C) at -200 to -100°C | |
| | J | | | |
| | T | | | |
| | L | | | |
| | U | | | |
| | N | ±(0.15% of rdg + 0.7°C) However, ±(0.35% of rdg + 0.7°C) at -200 to 0°C Accuracy at less than -200°C is not guaranteed. | ±(0.3% of rdg + 3.5°C) However, ±(0.7% of rdg + 3.5°C) at -200 to 0°C Accuracy at less than -200°C is not guaranteed. | |
| W | ±(0.15% of rdg + 1°C) | ±(0.3% of rdg + 7°C) | | |
| WRe | ±(0.2% of rdg + 2.5°C) However, ±4°C at 0 to 200°C | ±(0.3% of rdg + 10°C) However, ±18°C at 0 to 200°C | | |
| RTD | Pt100 | ±(0.15% of rdg + 0.3°C) | ±(0.3% of rdg + 1.5°C) | |
| | JPt100 | | | |

Measurement accuracy in case of scaling (digits):
 = measurement accuracy (digits) x scaling span (digits)/measurement span (digits) + 2 digits
 Decimals are rounded off to the next highest number.

Reference junction compensation:
 INT (internal)/EXT (external) selectable (common for all channels)

Reference junction compensation accuracy:
 Types R, S, B, W, WRe: $\pm 1\text{ }^{\circ}\text{C}$
 Types K, J, E, T, N, L, U: $\pm 0.5\text{ }^{\circ}\text{C}$
 (Above $0\text{ }^{\circ}\text{C}$, input terminal temperature is balanced)

Maximum allowable input voltage:
 $\pm 60\text{ VDC}$ (continuous) for all input ranges

Input resistance:
 Approx. $10\text{ M}\Omega$ or more for DCV ranges of 200 mVDC or less and TC
 Approx. $1\text{ M}\Omega$ for more than 2 VDC ranges

Input source resistance:
 DCV, TC: $2\text{ k}\Omega$ or less
 RTD: $10\text{ }\Omega$ or less per wire (The resistance of all three wires must be equal.)

Input bias current:
 10 nA or less (approx. 100 nA for TC range with burnout function)

Maximum common mode noise voltage:
 250 Vrms AC (50/60 Hz)

Maximum noise voltage between channels:
 250 Vrms AC (50/60 Hz)

Interference between channels:
 120 dB (when the input source resistance is $500\text{ }\Omega$ and the inputs to other channels are 60 V)

Common mode rejection ratio:
 A/D integration time 20 ms:
 More than 120 dB ($50\text{ Hz} \pm 0.1\%$, $500\text{ }\Omega$ imbalance between the minus terminal and ground)
 A/D integration time 16.7 ms:
 More than 120 dB ($60\text{ Hz} \pm 0.1\%$, $500\text{ }\Omega$ imbalance between the minus terminal and ground)
 A/D integration time 1.67 ms:
 More than 80 dB ($50/60\text{ Hz} \pm 0.1\%$, $500\text{ }\Omega$ imbalance between the minus terminal and ground)

Normal mode rejection ratio:
 A/D integration time 20 ms:
 More than 40 dB ($50\text{ Hz} \pm 0.1\%$)
 A/D integration time 16.7 ms:
 More than 40 dB ($60\text{ Hz} \pm 0.1\%$)
 A/D integration time 1.67 ms:
 $50/60\text{ Hz}$ is not rejected.

Effects of Operating Conditions

Ambient temperature: (Only for 16.7 ms A/D integration time or more)

With temperature variation of $10\text{ }^{\circ}\text{C}$
 DCV, TC: $\pm (0.1\%$ of rdg + 0.05% of range) or less
 Excluding the error of reference junction compensation
 RTD: $\pm (0.1\%$ of rdg + 2 digits) or less

Power supply:
 With variation within 90 to 132 V and 180 to 250 VAC (50/60 Hz):

Within measurement accuracy
 With variation of $\pm 2\text{ Hz}$ from rated power frequency (at 100 VAC):

Within measurement accuracy

Magnetic field:

AC (50/60 Hz) and DC 400 A/m fields:
 $\pm (0.1\%$ of rdg + 10 digits) or less

Input source resistance:

(1) DCV range (with variation of $+1\text{ k}\Omega$)

200 mVDC range or less:
 $\pm 10\text{ }\mu\text{V}$ or less

2 VDC range or greater:
 $\pm 0.15\%$ of rdg or less

(2) TC range (with variation of $+1\text{ k}\Omega$)
 $\pm 10\text{ }\mu\text{V}$

(3) RTD range (Pt100)

With variation of $10\text{ }\Omega$ per wire (resistance of all three wires must be equal):
 $\pm (0.1\%$ of rdg + 1 digit) or less

With maximum difference of $40\text{ m}\Omega$ between wires:
 approx. $\pm 0.1\text{ }^{\circ}\text{C}$

Transport and Storage Conditions

The following specifies the environmental conditions required during transportation from shipment to the start of service and during storage as well as during transportation and storage if this instrument is temporarily taken out of service.

No malfunction will occur under these conditions without serious damage, which is absolutely impossible to repair; however, calibration may be necessary to recover normal operation performance.

Ambient temperature:

$-25\text{ }^{\circ}\text{C}$ to $60\text{ }^{\circ}\text{C}$

Humidity: 5% to 95% RH (No condensation is allowed.)

Vibration: 10 to 60 Hz , 4.9 m/s^2 maximum

Shock: 392 m/s^2 maximum (while being packed)

SPECIFICATIONS OF OPTIONAL FUNCTIONS

Alarm Output Relays (/A1, /A2, /A3)

An alarm signal is output from the rear panel as a relay contact signal.

Number or output:

Select from 2, 4 and 6 points

Relay contact rating:

250 VDC/0.1 A (for resistance load), 250 VAC (50/60 Hz)/3 A

Terminal configuration:

SPDT (NO-C-NC). Energized-at-alarm/deenergized-at-alarm, AND/OR, and hold/non-hold actions are selectable.

Serial Communication Interface (/C2, /C3)

Connection:

EIA RS-232 (/C2) or RS-422A/485 (/C3)

Protocols: DX private protocol, Modbus(master/slave) protocol

Synchronization method:

Start-stop asynchronous transmission

Connection method (RS-422A/485):

4-wire half-duplex multi-drop connection (1 : N, N = 1 to 31)

Transmission speed:

1200, 2400, 4800, 9600, 19200 or 38400 bps

Data length:

7 or 8 bits

Stop bit: 1 bit

Parity: Odd, even, or none

Communication distance (RS-422A/485):

Up to 1.2 km

Communication mode:

ASCII for input/output for control and setting
ASCII or binary for output of measured data

Setting/measurement server function:

Operation, setting or output of measurement data are available by DX private protocol.

Modbus communication:

Reading or writing of measurement data on other instruments are available by Modbus protocol.

Mathematical function option is needed to read measurement data from other instruments.

Control operation such as message or batch name writing is available (Modbus slave function).

Operation mode:

RTU MASTER or RTU SLAVE

Modbus master command number:

1 to 16

Fail/Status Output (/F1)

The relay contact output on the rear panel indicates the occurrence of CPU failure or selected status.

FAIL output relay:

The relay contact output on the rear panel indicates the occurrence of CPU failure.

Relay operation: CPU normal: Energized,
CPU failure: Deenergized

Status output relay:

The relay contact output on the rear panel indicates the occurrence of selected status

Relay operation: Status detection:
Energized

| Status | Description |
|---------------------|---|
| Memory status | Relay is energized when internal memory or external storage media is in the following conditions: Abnormality in the internal memory When automatic saving of settings to the external storage media is ON <ul style="list-style-type: none"> • When the remaining space on the external storage medium reaches 10%. • When an abnormality occurs with the external storage medium, and auto save fails • When the external storage medium is not inserted, operation is same as when automatic saving of settings to the external storage media is Off When automatic saving of settings to the external storage media is Off <ul style="list-style-type: none"> • When the remaining space on the internal memory reaches 10% • When the number of data file which is not saved to external storage media exceeds 390 *Not including USB memory connected to the instrument. |
| Measurement Failure | Relay energized upon A/D converter abnormality or burnout detection |
| Comm. failure | Relay energized when communication error occurs in the Modbus master |
| Memory stop | Relay energized upon memory stop |
| Alarm | Relay energized upon any alarm occurs |

Relay contact rating:

250 VDC/0.1 A (for resistance load), 250 VAC (50/60 Hz)/3A

Clamped Input Terminal (/H2)

Clamped input terminal (detachable type) is used for input terminal.

Available wire size:

0.08 to 1.5 mm² (AWG28 to 16)

Desk Top Type (/H5[], /H5*)

Provides carrying handle and power cord.

* In case that /P1 is specified together, /H5 must be specified. Power terminal will be screw type and power code will not be provided.

Mathematical Functions (/M1)

Used for calculating data, displaying trends and digital values, and recording calculated data assigned to channels.

Channel assignable to calculated data:

DX1002, DX1004:

Up to 12 channels (101 to 112)

DX1006, DX1012:

Up to 24 channels (101 to 124)

Max. character length of expression:

120 characters

Operation:

General arithmetic operations:

Four arithmetic operations, square root, absolute, common logarithm, natural logarithm, exponential, power, relational operations (>, ≥, <, ≤, =, ≠), logic operations (AND, OR, NOT, XOR)

Statistical operations:

TLOG (Average, maximum, minimum, summation and P-P value of time series data)

CLOG (Average, maximum, minimum, summation and P-P value of channel series data)

Special operations:
 PRE (Previous data)
 HOLD(a):b (Hold data of "b" in case of "a" is not "0")
 RESET(a):b (Reset data of "b" and restart in case of "a" is not "0")
 CARRY(a):b (If "b" exceeds "a", "b-a" becomes computation results)
 Conditional operation:
 [a?b:c] (Execute "b" in case of "a" is not "0", or execute "c" in case of "a" is "0")
 Constant: Up to 60 constants (K01 to K60)
 Digital data input via communication:
 Up to 60 data (C01 to C60)
 External input:
 Up to 240 data (201 to 440) (only for external input option)
 Remote status input:
 Remote input status (0/1) can be used in mathematical expression
 Up to 8 inputs (D01 to D08)
 Pulse input: Up to 8 pulse count input (P01 to P08, Q01 to Q08) (only for pulse input option)
 Status input:
 Internal switch status (S01 to S30), relay status (I01 to I06), memory sampling status (M01 to M12) and flag status (F01 to F08) can be used in mathematical expression

Report functions:
 Number of report channels:
 DX1002, DX1004: up to 12 channels
 DX1006, DX1012: up to 24 channels
 Report type:
 Hourly, daily, hourly + daily, daily +weekly and daily + monthly
 Operation:
 Max. 4 types are selectable from average, maximum, minimum, instantaneous and summation
 Data format:
 ASCII
 Long term rolling average:
 Computation interval:
 1, 2, 3, 4, 5, 6, 10, 12, 15, 20, 30 sec., 1, 2, 3, 4, 5, 6, 10, 12, 15, 20, 30, 60 min
 Number of sampling:
 1 to 1500

Cu10, Cu25 RTD Input /3 leg isolated RTD Input (/N1)

This option allows Cu10 and Cu25 inputs to be added to the standard input types.

A, B, b legs are of isolated input type for DX1006, and DX1012.

Input type Measuring range:

The following specifications apply to operation of the recorder under standard operation conditions.

Temperature:

23 ± 2 °C

Humidity:

55% ± 10% RH

Power supply voltage:

90 to 132 or 180 to 250 VAC

Power supply frequency:

50/60 Hz ± 1%

Warm-up time:

At least 30 min.

Other ambient conditions such as vibration should not adversely affect recorder operation.

| Input | Type | Measurement range | Accuracy guarantee d range | Measurement accuracy | | Max. resolution of digital display |
|------------------------|-------------------------|-------------------|----------------------------|---------------------------------------|---|------------------------------------|
| | | | | A/D integration time: 16.7 ms or more | A/D integration time: 1.67ms (Fast sampling mode) | |
| RTD *1 | Cu10 (GE) | -200 to 300°C | -70 to 170°C | ±(0.4% of rdg + 1.0°C) | ±(0.8% of rdg + 5.0°C) RTD | 0.1°C |
| | Cu10 (L&N) | | -75 to 150°C | | | |
| | Cu10 (WEED) | | -200 to 260°C | | | |
| | Cu10 (BAILEY) | | | | | |
| | Cu10:α =0.00392 at 20°C | | -200 to 300°C | ±(0.3% of rdg + 0.8°C) | ±(0.5% of rdg + 2.0°C) | |
| | Cu10:α =0.00393 at 20°C | | | | | |
| Cu25:α =0.00425 at 0°C | | | | | | |

*1 Measuring current: i = 1mA

Input source resistance:

1 Ω or less per wire (The resistance of all three wires must be equal.)

Ambient temperature: (Only for 16.7 ms A/D integration time or more)

With temperature variation of 10 °C

± (0.2% of rdg + 2 digits) or less

Input source resistance:

With variation of 1 Ω per wire (resistance of all three wires must be equal):

± (0.1% of rdg + 1 digit) or less

With maximum difference of 40 mΩ between wires:

approx. ± 1 °C

3 legs Isolated RTD Input (/N2)

A, B, b legs are of isolated input type.

* Can be specified only for DX1006 and DX1012.

A, B, b legs of DX1002 and DX1004 are isolated as standard.

Extended Input Types (/N3)

This option allows extra inputs types to be added to the standard input types.

Input type Measuring range:

The following specifications apply to operation of the recorder under standard operation conditions.

Temperature:

23 ± 2 °C

Humidity:

55% ± 10% RH

Power supply voltage:

90 to 132 or 180 to 250 VAC

Power supply frequency:

50/60 Hz ± 1%

Warm-up time:

At least 30 min.

Other ambient conditions such as vibration should not adversely affect recorder operation.

| Input | Type | Measurement range | Measurement accuracy | | Max. resolution of digital display |
|--------|--------------|-------------------|---|--|------------------------------------|
| | | | A/D integration time: 16.7 ms or more | A/D integration time: 1.67ms (Fast sampling mode) | |
| TC | Kp vs Au7Fe | 0.0 to 300.0K | Within ±4.5K at 0 to 20K Within ±2.5K at 20 to 300K | Within ±13.5K at 0 to 20K Within ±7.5K at 20 to 300K | 0.1 K |
| | PLATINEL | 0.0 to 1400.0°C | ±(0.25% of rdg+2.3°C) | ±(0.25% of rdg+8.0°C) | 0.1°C |
| | PR40-20 | 0.0 to 1900.0°C | Accuracy is not guaranteed at 0 to 450°C ±(0.9% of rdg+3.2°C) at 450 to 750°C ±(0.9% of rdg+1.3°C) at 750 to 1100°C ±(0.9% of rdg+0.4°C) at 1100 to 1900°C | Accuracy is not guaranteed at 0 to 450°C ±(0.9% of rdg+15.0°C) at 450 to 750°C ±(0.9% of rdg+6.0°C) at 750 to 1100°C ±(0.9% of rdg+3.0°C) at 1100 to 1900°C | |
| | NiNiMo | 0.0 to 1310.0°C | ±(0.25% of rdg+0.7°C) | ±(0.5% of rdg+3.5°C) | |
| | W/WRe | 0.0 to 2400.0°C | ±15.0°C at 0 to 400°C ±(0.2% of rdg+2.0°C) at 400 to 2400°C | ±30.0°C at 0 to 400°C ±(0.4% of rdg+4.0°C) at 400 to 2400°C | |
| | TypeN(AWG14) | 0.0 to 1300.0°C | ±(0.2% of rdg+1.3°C) | ±(0.5% of rdg+7.0°C) | |
| | XK GOST | -200.0 to 600.0°C | ±(0.25% of rdg +0.8°C) ±(0.25% of rdg +1.0°C) at -200 to -100°C | ±(0.5% of rdg +4.0°C) ±(0.5% of rdg +5.0°C) at -200 to -100°C | |
| RTD *1 | Pt50 | -200.0 to 550.0°C | ±(0.3% of rdg+0.6°C) | ±(0.6% of rdg+3.0°C) | 0.1 K |
| | Ni100(SAMA) | -200.0 to 250.0°C | ±(0.15% of rdg+0.4°C) | ±(0.3% of rdg+2.0°C) | |
| | Ni100(DIN) | -60.0 to 180.0°C | ±(0.15% of rdg+0.4°C) | ±(0.3% of rdg+2.0°C) | |
| | Ni120 | -70.0 to 200.0°C | ±(0.15% of rdg+0.4°C) | ±(0.3% of rdg+2.0°C) | 0.1°C |
| | J263*B | 0.0 to 300.0 K | Within ±3.0K at 0 to 40K Within ±1.0K at 40 to 300K | Within ±9.0K at 0 to 40K Within ±3.0K at 40 to 300K | |
| | Cu53 | -50.0 to 150.0°C | ±(0.15% of rdg+0.8°C) | ±(0.3% of rdg +4.0°C) | |
| | Cu100 | -50.0 to 150.0°C | ±(0.2% of rdg+1.0°C) | ±(0.4% of rdg +5.0°C) | |
| | Pt25 | -200.0 to 550.0°C | ±(0.15% of rdg+0.6°C) | ±(0.3% of rdg +3.0°C) | |
| | Pt46 GOST | -200.0 to 550.0°C | ±(0.3% of rdg +0.8°C) | ±(0.6% of rdg +4.0°C) | |
| | Pt100 GOST | -200.0 to 600.0°C | ±(0.15% of rdg +0.3°C) | ±(0.3% of rdg +1.5°C) | |
| | Cu10 GOST | -200.0 to 200.0°C | ±(1.5% of rdg+3.0°C) | ±(3.0% of rdg +15.0°C) | |
| | Cu50 GOST | -200.0 to 200.0°C | ±(0.4% of rdg +0.5°C) | ±(0.8% of rdg +2.5°C) | |
| | Cu100 GOST | -200.0 to 200.0°C | ±(0.15% of rdg +0.3°C) | ±(0.3% of rdg +1.5°C) | |

*1 Measuring current: i = 1mA

Input source resistance:

TC: 2 kΩ or less

RTD: 1 Ω or less per wire (The resistance of all three wires must be equal.)

Ambient temperature: (Only for 16.7 ms A/D integration time or more)

With temperature variation of 10 °C

TC: ± (0.1% of rdg + 0.05% of range) or less Excluding the error of reference junction compensation.

RTD: ± (0.2% of rdg + 2 digits) or less

Input source resistance:

(1) TC range (with variation of + 1 kΩ)

± 10 μV

(2) RTD range

With variation of 1 Ω per wire (resistance of all three wires must be equal):

± (0.1% of rdg + 1 digit) or less

With maximum difference of 100 mΩ between wires:

approx. ± 1 °C

24 VDC/AC Power Supply (/P1)

Rated power supply: 24 VDC or 24 VAC (50/60Hz)

Allowable power supply voltage range:

21.6 to 26.4 VDC/AC

Insulation resistance:

Power supply to ground terminal: 20 MΩ or greater (at 500 VDC)

Dielectric strength:

Power supply to ground terminal: 500 VAC (50/60 Hz), 1 min

Max. power consumption:

| Supply voltage | LCD off | Normal | Max. |
|-------------------|---------|--------|-------|
| 24 VDC | 8 VA | 15 VA | 28 VA |
| 24 VAC (50/60 Hz) | 15 VA | 24 VA | 45 VA |

Remote Control (/R1)

This option allows eight functions to be controlled remotely by a contact input.

Please refer the part of "Event action function" for functions to be controlled.

24 VDC transmitter power supply (/TPS2, /TPS4)

Output voltage:

22.8 to 25.2 VDC (rated load current)

Rated output current:

4 to 20 mADC

Max. output current:

25 mADC (current to guard operation against overcurrent: approx. 68 mADC)

Allowable conductor resistance:

$RL \leq (17.8 - \text{transmitter minimum operation voltage})/0.02 \text{ A}$ (not include drop voltage with load shunt resistance)

Max. length of wiring:

2 km (CEV cable)

Insulation resistance:

output terminal to grand terminal more than 20 M Ω (500 VDC)

Dielectric strength:

Output terminal to grand terminal:

500 VAC (50/60 Hz, I = 10 mA), 1 min

Between output terminal:

500 VAC (50/60 Hz, I = 10 mA), 1 min

Easy text entry (/KB1, /KB2)

Normal operating conditions:

Ambient temperature for usage:

0 to 40 °C

Ambient humidity for usage:

20 to 80% RH (When 5 to 40 °C, no condensation)

Ambient temperature for storage:

-10 to 60 °C

Power supply:

AA dry battery \times 2

Weight: Approx. 60 g (excluding dry battery)

Dimensions: 170 (W) \times 50 (H) \times 23.7 (D) mm

Number of units that can be controlled:

Max. 32 units by ID setting

Communication distance:

Max. 8 m (depending on battery strength and usage area)

Orientation specifications:

Depends on battery strength & usage area

USB interface (/USB1)

USB interface specification:

Based on Rev1.1, host function

Number of ports:

2 ports (Front and rear panel)

Power supply:

5V, 500mA (for each port)*1

Available USB devices:

Keyboard: 104/89 keyboard (US) based on USB HID Class Ver.1.1

External medium:

USB flash drive (some of USB flash drives may not be supported by DXAdvanced)

Barcode reader:

Interface based on USB HID Class Ver.1.1 and supports standard US keyboard

*1: For low powered devices (bus power < 100 mA):

5V \pm 5%

For high powered devices (bus power < 500 mA):

5V \pm 10%

Devices which need more than 500 mA total bus

power for 2 ports can not be connected at the same time.

Pulse input (/PM1)

Pulse input option includes mathematical functions option (/M1) and remote control option (/R1).

Number of inputs:

3 points (8 points are available in case of using remote inputs)

Input format:

Photocoupler isolation (shared common)

Isolated power supply for input terminal (approx. 5 V)

Input type:

Non-voltage contact:

Close: 200 Ω or less, Open: 100 k Ω or more

Open collector:

ON: 0.5 V or less (30 mADC), Leakage current of OFF: 0.25 mA or less

Counting: Counts rising edges of pulses

Allowable input voltage:

30 VDC

Max. sampling pulse period:

Max. 100 Hz

Minimum pulse length:

5 ms

Pulse detection period:

Approx. 3.9 ms (256Hz)

Pulse measuring accuracy:

\pm 1 pulse (for instantaneous mode)

Pulse count period:

Counts the number of pulse per measurement period (P01 to P08) or per second (Q01 to Q08).

Calibration correction function (/CC1)

Corrects the measurement value of each channel using segment linearizer approximation.

Number of segment points:

2 to 16

Multi-batch function (/BT2)

This option allows to start/stop the independent data file for each batch and creating independent data file*.

* Only for DX1006 and DX1012.

Number of batches:

2 to 12 (in case of standard memory (80MB), 6 batches are maximum)

Independent operation for each batch:

Memory start/stop, math reset, writing message

Common operation for all batches:

Math start/stop, report start/stop, manual sample, setting data save/load

Measurement interval:

Only normal mode (fast sampling mode is not available), 1 s fastest (common for all batches)

Data type:

Display data file or event data file only. Trigger mode is not available for event data file.

Data saving period:

Common for all batches

Data file:

Each display/event data file is created for each batch

Number of group:

6 groups maximum for each batch

6 channels maximum for each group
 Number of timer and match time timer:
 12 timers maximum
 Independent settings for each batch:
 Group setting, trip line setting, file header
 setting, data file name setting, text field
 setting, batch number setting, lot number
 setting

PROFIBUS-DP Communication Interface (/CP1)

PROFIBUS-DP master device can access to internal
 data below.
 Reading measurement channel data
 Reading mathematical channel data
 Writing communication input channel data (32 channels
 maximum)
 Data mapping:

| Buffer | Description | Max. size |
|--------|--|-----------|
| Input | Measurement data are mapped from top of buffer Math channel data are mapped in rest of buffer | 128 byte |
| Output | Communication input channel data are mapped (32 channels max.) | 128 byte |

Node address setting range:
 0 to 125
 Interface:
 PROFIBUS-DP-V0 Slave
 Transmission medium:
 2 wires exclusive cable (2 wires for signal)
 Transmission speed/distance:
 9.6 kbps/1200m to 12Mbps/100m
 Terminator:
 Not included (external terminator is needed)

APPLICATION SOFTWARE

DAQSTANDARD

Operating environment
 OS: Microsoft Windows 2000/XP/Vista*
 *Home Premium and Business (except for
 64 bits version)
 Processor: Pentium III 600 MHz or higher (Windows
 2000/XP)
 Pentium 4 3 GHz or higher (Windows
 Vista)
 Memory: 32 MB or more (Windows 2000/XP)
 2 GB or more (Windows Vista)
 Hard disk: Free area of at least 100 MB
 Display card:
 Compatible with Windows 2000/XP/Vista
 Configuration software:
 Setting mode:
 Configuration of setting mode and basic
 setting mode
 Configuration via communication:
 Configuration of setting mode and basic
 setting mode without communication
 configuration (ex. IP address)
 Data viewer software:
 Number of display channels:
 32 channels per group, 50 groups
 maximum
 Viewer function
 Waveform display, digital display, circular
 display, list display, report display etc.
 Data conversion:
 File conversion to ASCII, Lotus 1-2-3 or
 MS-Excel format

DAQStudio (optional)

Custom display builder software
 Operating environment
 OS: Windows XP (Home Edition SP3,
 Professional SP3*)
 *Except for Professional x64 Edition
 Windows Vista (Home Premium SP1*,
 Business SP1*)
 *Except for 64 bits version
 Processor: Pentium 4, 1.6GHz or higher (Windows
 XP)
 Pentium 4, 3.0GHz or higher (Windows
 Vista)
 Memory: 512 MB or more (Windows XP)
 1 GB or more (Windows Vista)
 Hard disk: Free area of at least 100 MB
 Display card:
 Compatible with Windows XP/Vista (1024
 × 768 pixels or more, 65536 colors or
 more)

General functions

- (1) Send and receive the parts layout data of the
 custom display (via Ethernet or CF card).
- (2) Display the custom screens, create new custom
 display and edit.
- (3) Save and load the file of configured or edited
 custom display data.

MODEL AND SUFFIX CODES

| Model code | Suffix code | Optional code | Description |
|------------------|-------------|---|--|
| DX1002 | | | 2ch, 125ms (Fast sampling mode: 25ms) |
| DX1004 | | | 4ch, 125ms (Fast sampling mode: 25ms) |
| DX1006 | | | 6ch, 1s (Fast sampling mode: 125ms) |
| DX1012 | | | 12ch, 1s (Fast sampling mode: 125ms) |
| Internal memory | -1 | | Standard memory (80MB) |
| | -2 | | Large memory (200MB) |
| External media | -4 | | CF card (with media) |
| Display language | -2 | | English/German/French, degF, DST(summer/winter time) |
| Options | /A1 | | Alarm output 2 points *1 |
| | /A2 | | Alarm output 4 points *1 |
| | /A3 | | Alarm output 6 points *1 *2 |
| | /C2 | | RS-232 interface *3 |
| | /C3 | | RS-422A/485 interface *3 |
| | /F1 | | FAIL/Status output *2 |
| | /H2 | | Clamped input terminal (detachable) |
| | /H5 | | Desktop type (only for /P1 model, without power cable, screw type power terminal) *4 |
| | /H5[] | | Desktop type *5 |
| | /M1 | | Mathematical functions |
| | /N1 | | Cu10,Cu25 RTD input/3 leg isolated RTD |
| | /N2 | | 3 leg isolated RTD *6 |
| | /N3 | | Extended input type (PR40-20, Pt50, etc.) |
| | /P1 | | 24VDC/AC power supply |
| | /R1 | | Remote control |
| | /TPS2 | | 24VDC transmitter power supply (2 loops) *7 |
| | /TPS4 | | 24VDC transmitter power supply (4 loops) *8 |
| | /KB1 | | Easy text entry (with input terminal) *9 *10 |
| | /KB2 | | Easy text entry (without input terminal) *9 |
| | /USB1 | | USB interface |
| /PM1 | | Pulse input (including remote control and mathematical functions) *11 | |
| /CC1 | | Calibration correction function | |
| /BT2 | | Multi-batch function *12 | |
| /CP1 | | PROFIBUS-DP communication interface *3 | |

*1 /A1, /A2, /A3 cannot be specified together.

*2 /A3 and /F1 cannot be specified together.

*3 /C2, /C3 and /CP1 cannot be specified together.

*4 In case that 24 VDC/AC power supply (/P1) and desktop type are specified together, /H5 must be specified.

/P1 and /H5[] cannot be specified together.

*5 /H5[]

- D: Power cord UL, CSA st'd
- F: Power cord VDE st'd
- R: Power cord SAA st'd
- J: Power cord BS st'd
- H: Power cord GB st'd

*6 /N2 can be specified for only DX1006 and DX1012.

*7 In case that /TPS2 is specified, /TPS4, /A2, /A3 or /F1 cannot be specified together.

*8 In case that /TPS4 is specified, /TPS2, /A1, /A2, /A3 or /F1 cannot be specified together.

*9 /KB1 and /KB2 cannot be specified together.

*10 In case that /KB1 is specified, remote input terminal (438227) is included.

*11 In case that /PM1 is specified, /A3, /M1, /R1, /TPS2 or /TPS4 cannot be specified. And combination of /A2/F1 cannot be specified together.

*12 /BT2 can be specified for only DX1006 and DX1012.

Application Software

| Model code | Description | OS |
|------------|-------------------------------|-----------------------|
| DXA120 | DAQSTANDARD software | Windows 2000/XP/Vista |
| DXA170 | DAQStudio software (optional) | Windows XP/Vista |

STANDARD ACCESSORIES

| Product | Qty |
|-------------------------------|-----|
| Mounting brackets | 2 |
| Terminal screws | 5 |
| Door lock key | 2 |
| Operation guide | 1 |
| Instruction manual (CD-ROM) | 1 |
| DAQSTANDARD software (CD-ROM) | 1 |
| CF card (128MB) | 1 |
| Power cable *1 | 1 |

*1 For /H5[] option

For / KB1 option

| Product | Qty |
|------------------------------------|-----|
| Remote control terminal (438227) | 1 |
| AA alkali dry battery | 2 |
| Labels for remote control terminal | 2 |

OPTIONAL ACCESSORIES

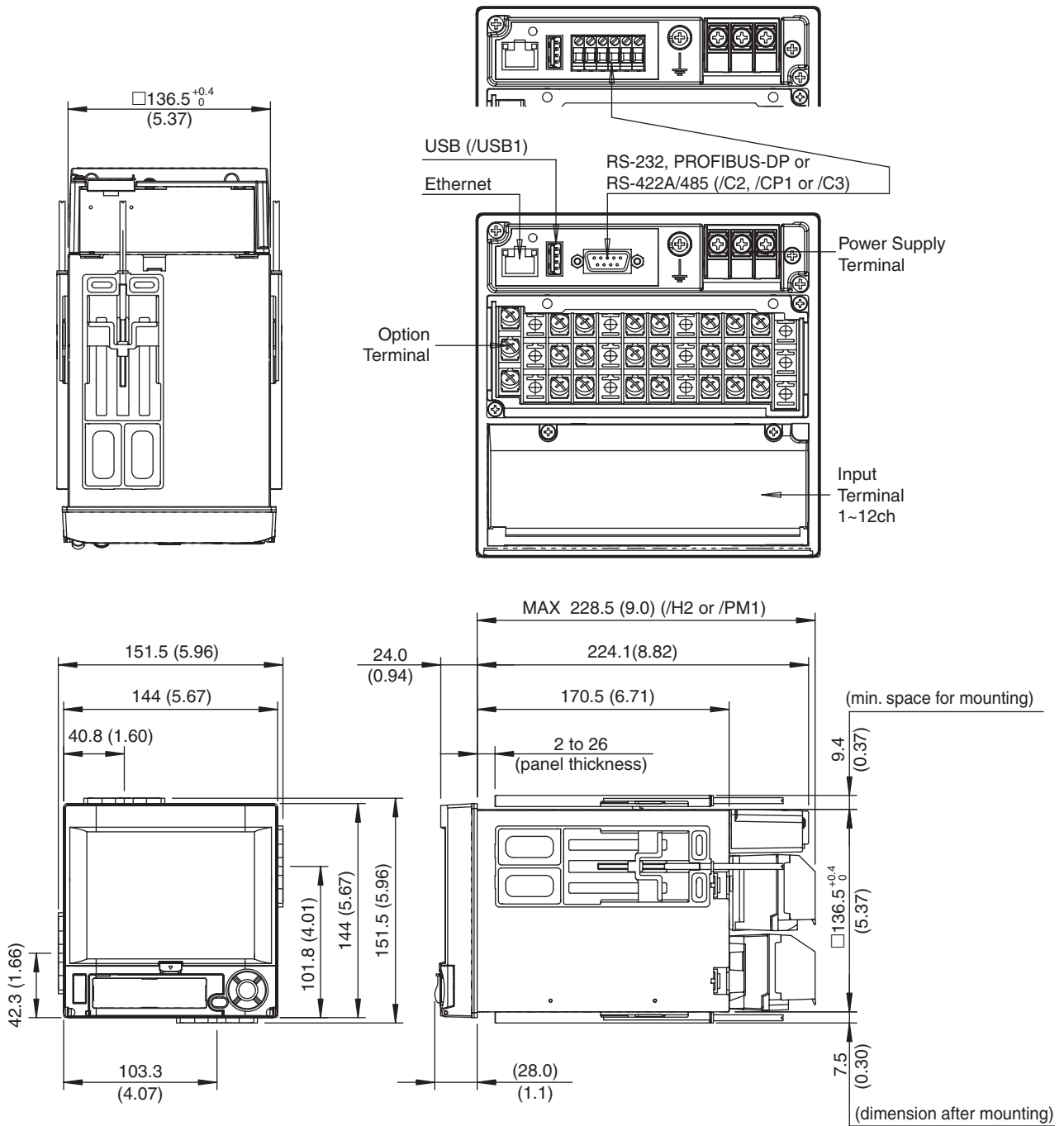
| Product | Model code (part number) | Specification |
|---|-----------------------------|------------------------|
| Shunt resistor (for screw input terminal) | 415920 | 250 $\Omega \pm 0.1\%$ |
| | 415921 | 100 $\Omega \pm 0.1\%$ |
| | 415922 | 10 $\Omega \pm 0.1\%$ |
| Shunt resistor (for clamped input terminal) | 438920 | 250 $\Omega \pm 0.1\%$ |
| | 438921 | 100 $\Omega \pm 0.1\%$ |
| | 438922 | 10 $\Omega \pm 0.1\%$ |
| CF card adapter | 772090 | – |
| CF card | 772091 | 128MB |
| | 772092 | 256MB |
| | 772093 | 512MB |
| | 772094 | 1GB |
| Mounting bracket | B9900BX | – |
| Door lock key | B8706FX | – |
| Remote control terminal | 438227 | For /KB1, /KB2 option |

DIMENSIONS

Dimensions

Unit : mm
(approx.inch)

Terminal Arrangement

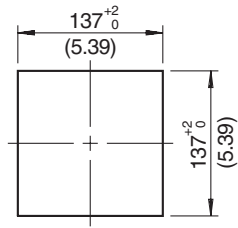


Note: If not specified, the tolerance is $\pm 3\%$. However, for dimensions less than 10mm, the tolerance is $\pm 0.3\text{mm}$.

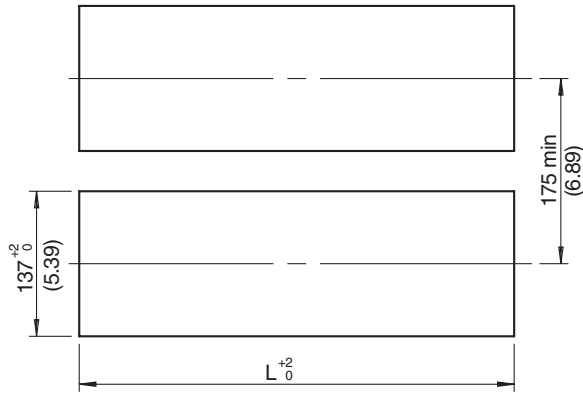
Panel cutout

Unit : mm
(approx. inch)

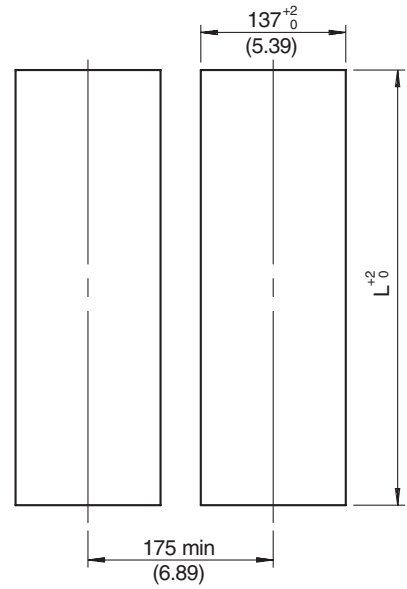
Single-unit Mounting



Side-by-side Mounting (horizontally)



Side-by-side Mounting
(vertically, max. 3 units)

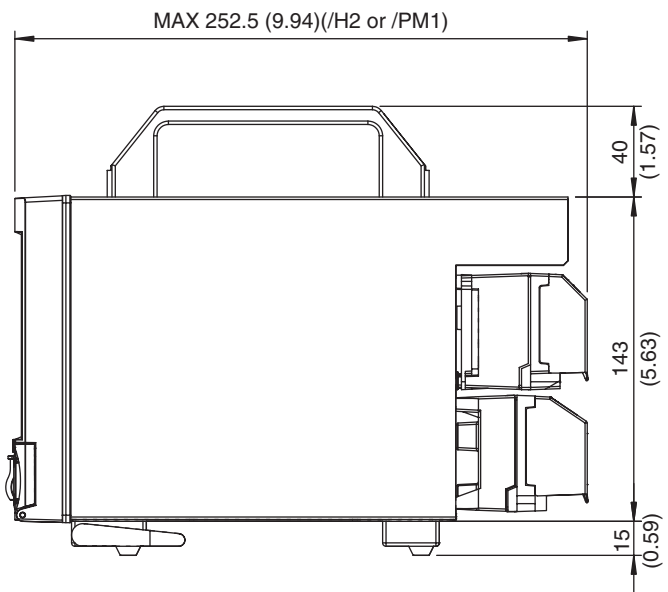
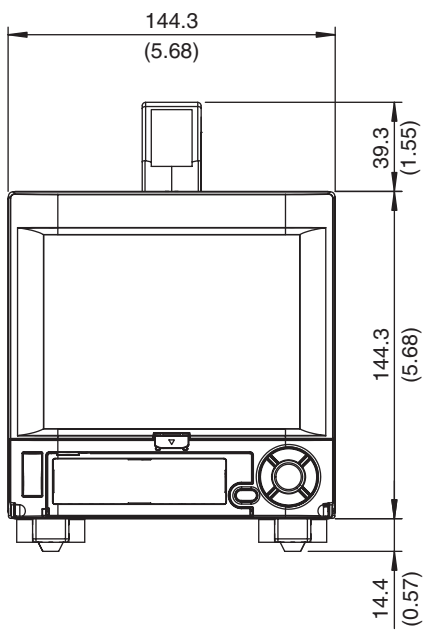
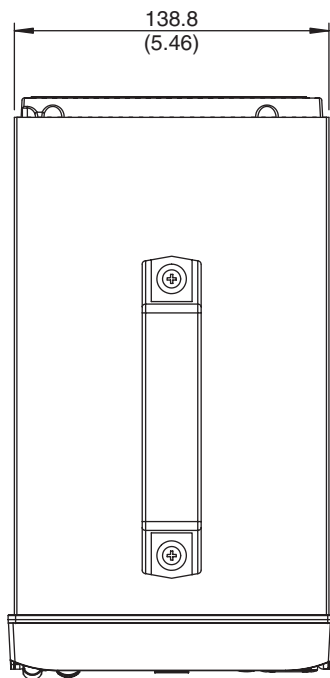


| Units | $L \begin{smallmatrix} +2 \\ 0 \end{smallmatrix}$ (mm) |
|-------|--|
| 2 | 282 |
| 3 | 426 |
| 4 | 570 |
| 5 | 714 |
| 6 | 858 |
| 7 | 1002 |
| 8 | 1146 |
| 9 | 1290 |
| 10 | 1434 |
| n | $(144 \times n) - 6$ |

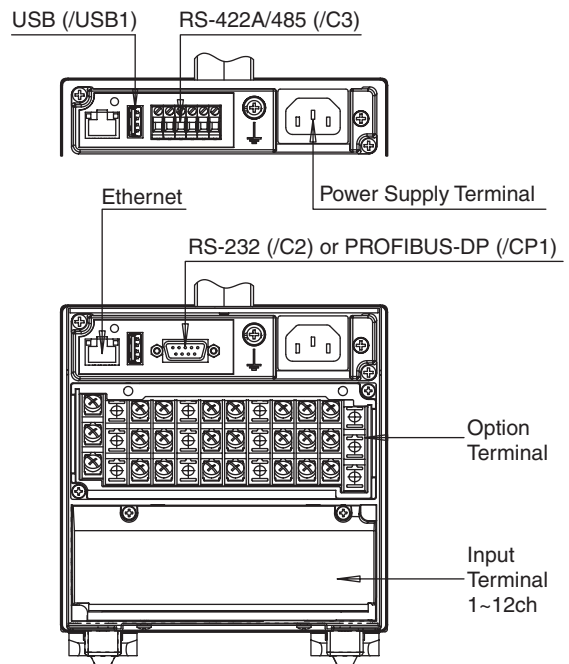
Note : If not specified, the tolerance is $\pm 3\%$. However, for dimensions less than 10 mm, the tolerance is ± 0.3 mm.

Dimensions

Unit : mm
(approx.inch)

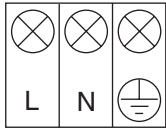


Terminal Arrangement

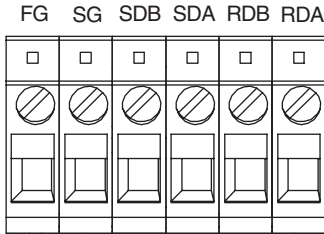


If not specified, the tolerance is $\pm 3\%$. However, for dimensions less than 10mm, the tolerance is $\pm 0.3\text{mm}$.

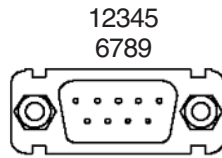
Power Supply Terminal



RS-422-A/485 Terminal



RS-232 Terminal

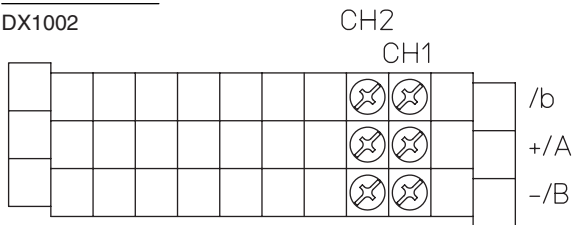


| | |
|---|------|
| 1 | N.C. |
| 2 | RD |
| 3 | SD |
| 4 | N.C. |
| 5 | SG |
| 6 | N.C. |
| 7 | RS |
| 8 | CS |
| 9 | N.C. |

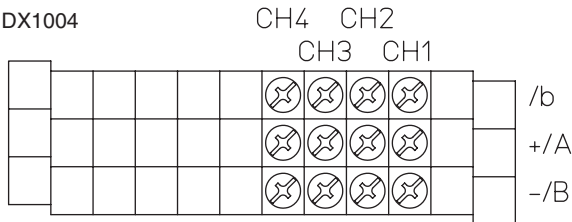
Input Terminals

Screw Terminals

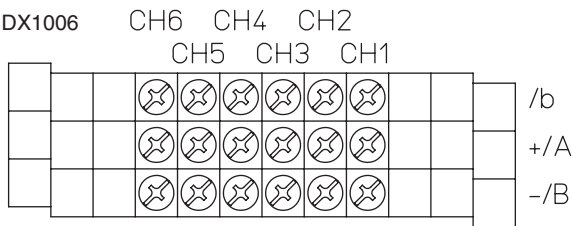
DX1002



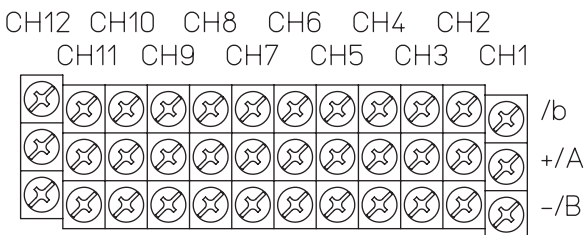
DX1004



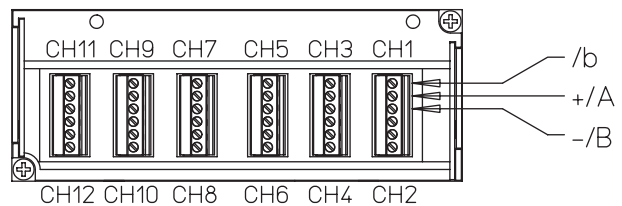
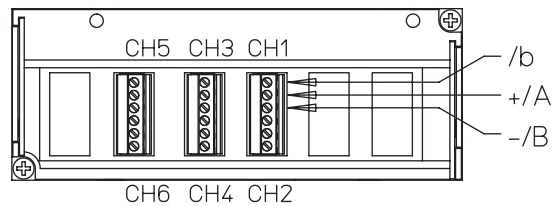
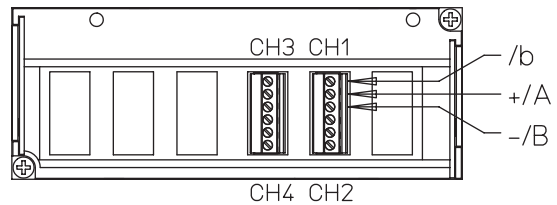
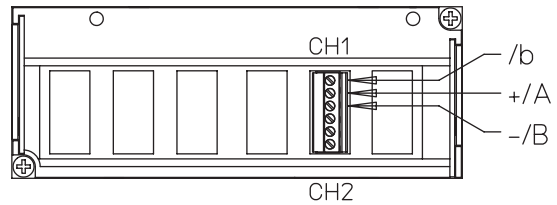
DX1006



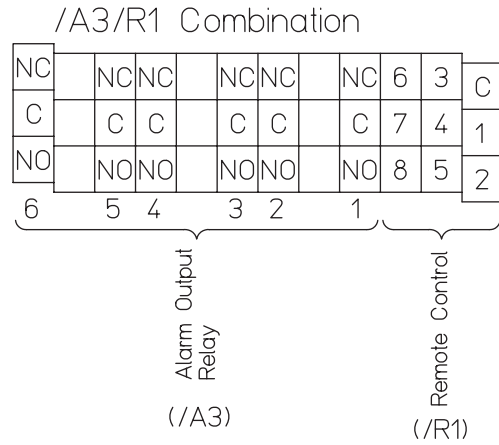
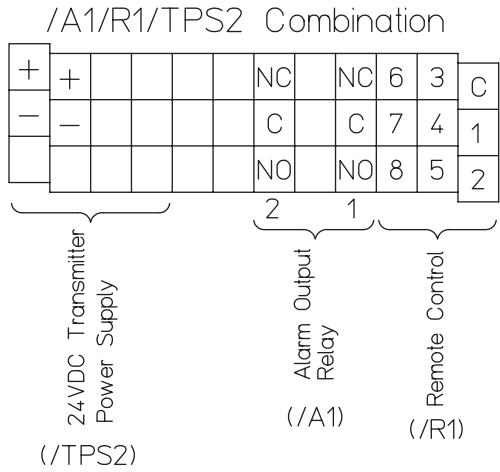
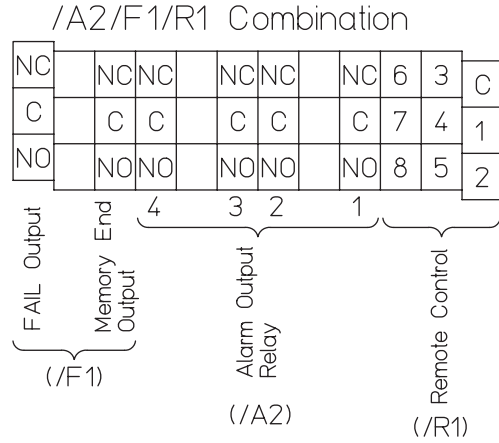
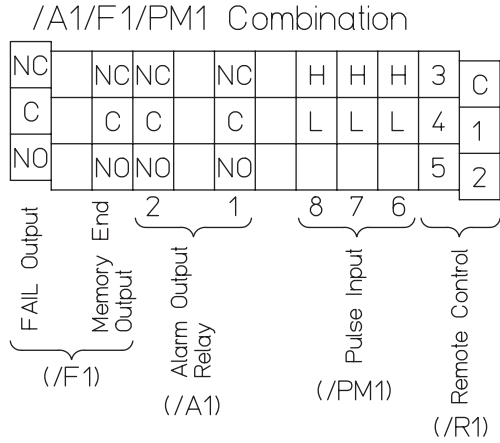
DX1012



Clamped Terminals (/H2)



Option Terminals



The TCP/IP software used in this product and the document for that TCP/IP software are based in part on BSD networking software, Release 1 licensed from The Regents of the University of California.

- DAQSTATION and DXAdvanced are registered trademark of Yokogawa Electric Corporation.
- Microsoft, MS and Windows are registered trademarks of Microsoft Corporation USA.
- Lotus and 1-2-3 are registered trademark of Lotus Development Corporation.
- Pentium are registered trademarks of Intel Corporation.
- Ethernet is a registered trademark of XEROX Corporation.
- Modbus is a registered trademark of AEG Schneider.
- PROFIBUS-DP is a registered trademark of PROFIBUS User Organization.
- EtherNet/IP is a trademark of ODVA (Open DeviceNet Vendor Association).
- Other company and/or product names are registered trade mark of their manufactures.